



## Instruction Manual of AW-D305 Addressable Manual Call Points

----- Please read this Manual carefully before installing and using the product. -----

### I. Overview

The AW-D305 Addressable manual call point (hereinafter referred to AW-D305 Addressable) is mainly designed to be used with an intelligent two-bus control system. If it is pressed after a fire is manually confirmed, an alarm signal may be sent to a fire alarm control system which will, after receiving the alarm signal, display the coded address and the equipment status of the manual fire call points. When the manual fire call points is operating normally, the red indicator will blink; when there is a fire alarm, it will remain lit. The AW-D305 Addressable supports electronic coding, more suitable for engineering application convenient.

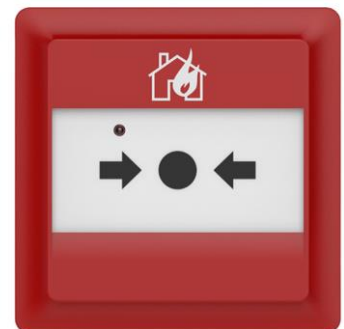
### II. Product characteristics

- ✓ Semi-flush or surface mounting
- ✓ Compatible with the latest EN standards
- ✓ Lever reusable (non-glass break)
- ✓ LED indicator
- ✓ Full electronic coding, through CODER-9001 encoder scene rewrite



### III. technical parameters

- 1.Executive Standard: EN54-11
- 2.Protection class: IP43
- 3.Operating voltage: 24V (pulse modulation)
- 4.Operating Current: monitoring status <0.3mA, alarm status <2mA
- 5.Application: For indoor use
- 6.Operating temperature: -10 °C ~ 55 °C, Relative humidity: ≤ 95% (non-condensing)
- 7.Indicator: Red alarm indicator flashes when data logging, press the manual button lit work
- 8.Encoding: coded by the encoder, the address range from 1 to 324 optional
- 9.Materials and colors: ABS, red
- 10.Wiring: The Promise of two bus system (L1, L2)
- 11.Size: 90mm×90mm×42mm (overall height) / 90mm×90mm×23mm (exposed after installation dimensions)
- 12.Mating Host: AW-FP300 fire alarm control panel
- 13.Weight: about 95g



#### ASENWARE LTD

ADDRESS: 6 PROSPECT WAY, ROYAL OAK INDUSTRIAL ESTATE DAVENTRY,  
NORTHAMPTONSHIRE, ENGLAND, NN118PL  
WEBSITE: [www.asenware.com](http://www.asenware.com) EMAIL: [info@asenware.com](mailto:info@asenware.com)

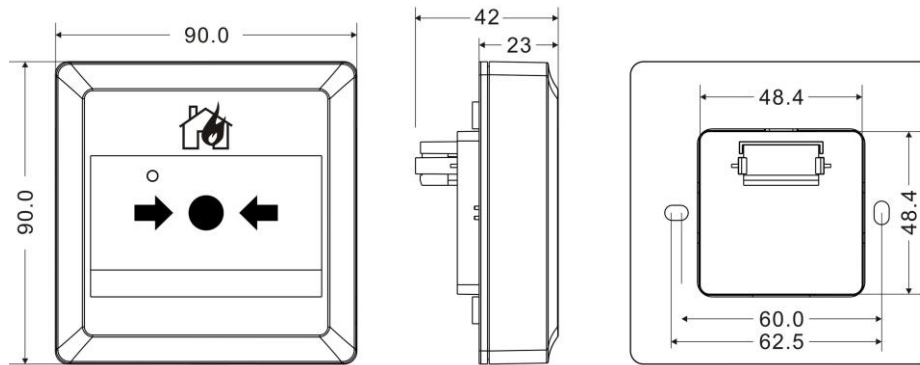


Fig. 1 Main part

#### IV. Mounting base

AW-D305 Addressable should comply with all local codes, NFPA70 National Electrical Code, BS5389 and EN54. Shown in Figure 2, the first one embedded box buried in the wall where the AW-D305 Addressable and then fixed to the base of the embedded box.

Base dimensions of 90mm × 90mm × 6.5mm (Length × width × height), mounting hole diameter Ø5mm, fixing hole spacing is 60mm ~ 62.5mm, line pipe from the base lower penetration into the line shown in Figure 3.

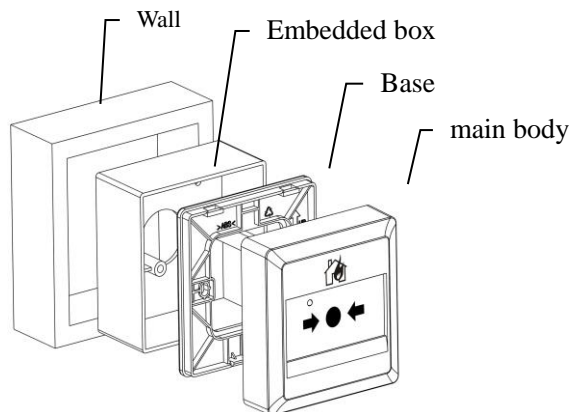


Fig.2

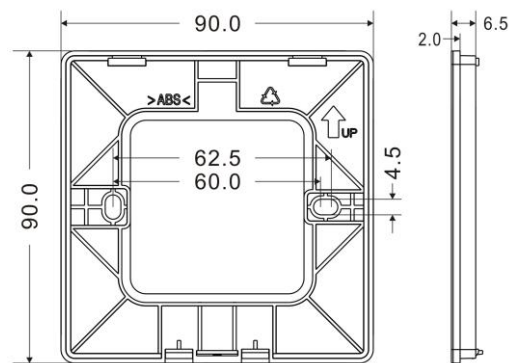


Fig. 3 Base

#### V. Wiring and Connections

According to the wiring diagram, connect the wires to the desired end. Figure 4 shows, it is proper to use RVS twisted pairs with a section of area of equal to or larger than 1.0mm<sup>2</sup> for the signal buses L1 and L2.

#### VI. Use

**Address coding:** The address of the AW-D305 Addressable, you can hand-held encoder (CODER-9001) programming, the encoder must be purchased separately. The output of the encoder plug into the socket on the AW-D305 Addressable (see Figure 4 Encoder Interface), set the coder with the coding function, compile the correct address code and press the RUN key to complete the address code setup. Note: See the User's Manual of the coder for detailed operation.

**Start:** When there is a fire manual confirmation, press the pressing sheet on the panel of AW-D305 Addressable (see Fig.5). After the manual fire alarm is given, the ALARM indicator will remain lit.

**Reset:** The special tool into the manual reset button on the side of the hole being depressed can make restitution by piece. Reset the fire alarm control system and restore the AW-D305 Addressable to the



**ASENWARE LTD**

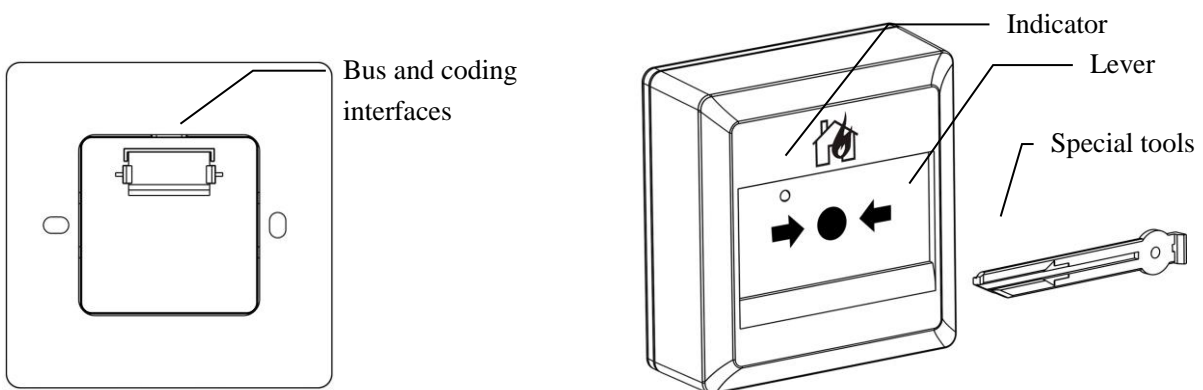
ADDRESS: 6 PROSPECT WAY, ROYAL OAK INDUSTRIAL ESTATE DAVENTRY,  
NORTHAMPTONSHIRE, ENGLAND, NN118PL

WEBSITE: [www.asenware.com](http://www.asenware.com) EMAIL: [info@asenware.com](mailto:info@asenware.com)

normal monitoring status.

## VII. Precautions

1.A manual fire call points cannot share an address with other equipment in a single bus circuit, or else an address conflict may occur.



### ASENWARE LTD

ADDRESS: 6 PROSPECT WAY, ROYAL OAK INDUSTRIAL ESTATE DAVENTRY,  
NORTHAMPTONSHIRE, ENGLAND, NN118PL

WEBSITE: [www.asenware.com](http://www.asenware.com) EMAIL: [info@asenware.com](mailto:info@asenware.com)